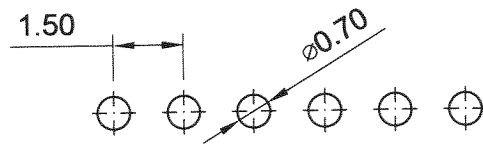
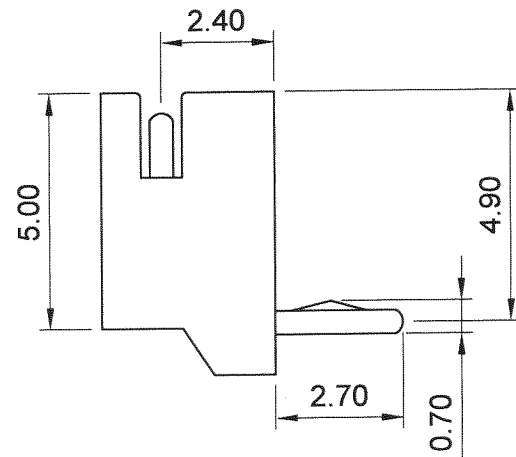
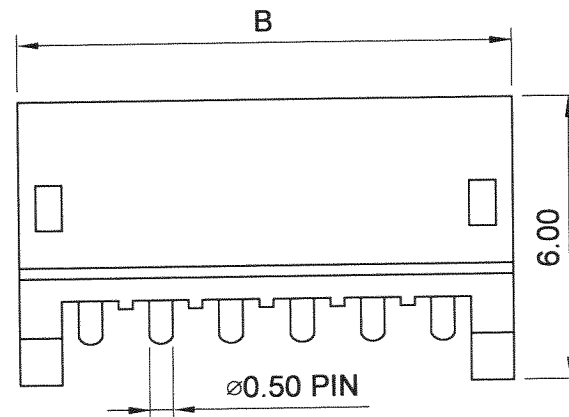
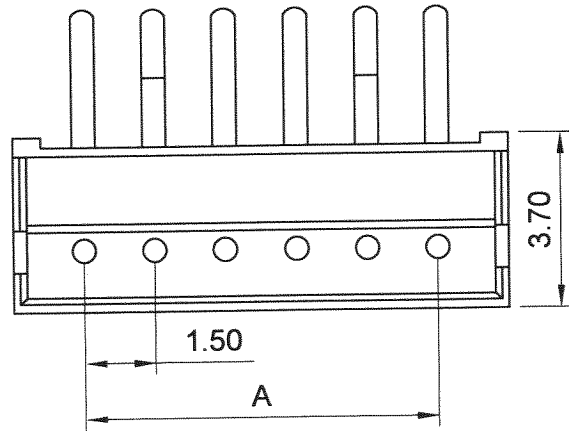


RoHS
Compliant
2002/95/EC



P.C.Board Layout

SPECIFICATIONS

CURRENT RATING : 1A AC DC

VOLTAGE RATING : 100V AC DC

TEMPERATURE RANGE : -25 °C TO +85 °C

CONCTACT RESISTANCE : 20 mΩ MAX.

INSULATION RESISTANCE : 500 MΩ MIN.

WITHSTANDING VOLTAGE : 500V AC/MINUTE

MATERIAL : PIN-BRASS / TIN-PLATED

BASE-NYLON 66, UL94V-0

Ordering Information & Dimensions

Poles	Dimension (mm)	
	A	B
2	1.50	4.50
3	3.00	6.00
4	4.50	7.50
5	6.00	9.00
6	7.50	10.50
7	9.00	12.00
8	10.50	13.50
9	12.00	15.00
10	13.50	16.50
11	15.00	18.00
12	16.50	19.50
13	18.00	21.00

JAWS 兆旭股份有限公司
JAWS CO., LTD.

7F-1, NO.31, Lane 169, Kang Ning Street,
Hsichih, Taipei Hsien, Taiwan.
TEL:886-2-2692-2898
FAX:886-2-2692-2618
Http://www.jaws.com.tw

THIRD ANGLE
PROJECTION

DESIGN UNITS
mm INCH

TITLE: 1.50mm WIRE-TO-BOARD
HEADER (ZH)

GENERAL TOLERANCES:

±0.30

DRAWN

游燕瑩

DATE

97/08/14

SIZE:

A4

SCALE:

FREE

SHEET:

1/1

PARTS NO.:

150A-WR-xxT

DWG NO.:

JAWS-SOP-150A002

REV.

01

CHECK

郭坤峰

DATE

97.8.14

APPROVE

陳世寬

DATE

97.8.15

DAN NO.: S9708-020